

Polycase Enclosure

MLENCPOLY

Specifications

- Designed to accommodate a Volucalc Hybrid, a FlowMaid or a SensorMaid with communication module, antenna, and battery. (Equipment not included)
- Provides exceptional protection when equipment is hosed cleaned or wet.
- Ideal in very corrosive environments.
- Dimensions: 10.25 in. X 14 in. X 5.5 in. (254 mm x 356 mm x 140 mm)
- Weight: 6 lbs (2.72 kg)

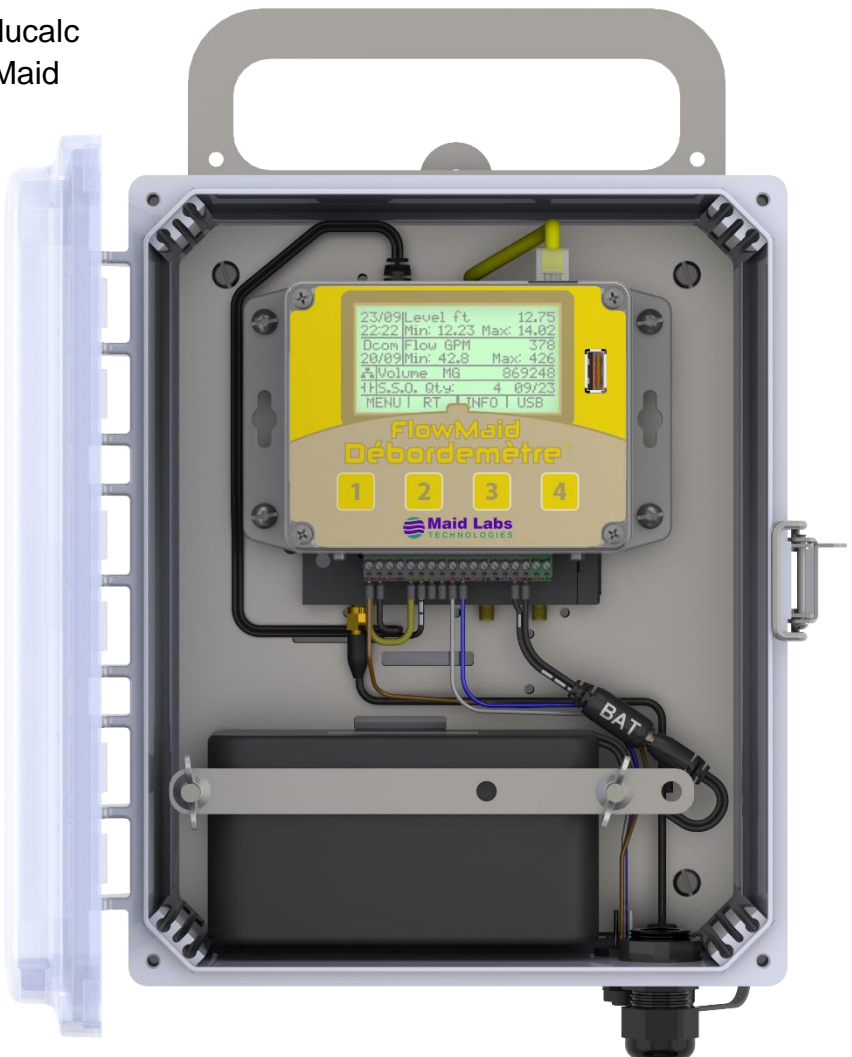
Standards (before modification of the case)

- UL 508A (File E352997)
- Complies with standards:
- NEMA, types 1, 2, 3, 4, 4X, 5, 6 / 6P *, 12 and 13
- IP66 / IP68 * (IEC 529)

* This enclosure is IP68 and Nema 6 / 6P with the cover door closed with screws, not the latch. It is the user's responsibility to tight the accessories cables properly.

Construction

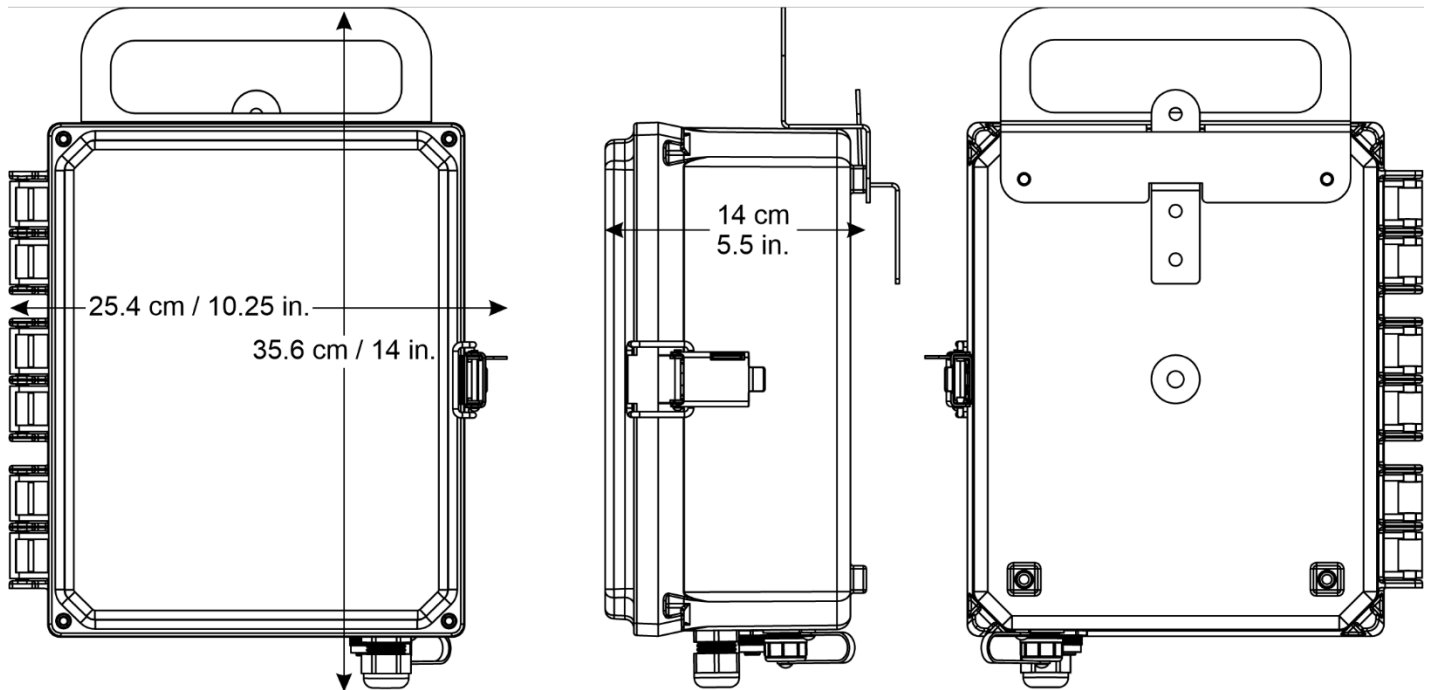
- Polycarbonate resin housing. It can be easily cut or drilled.
- Improved anti-UV agents provide protection against weathering.
- Stainless steel lever type "latch" door closers that can accommodate a padlock (IP66)
- Door closing device using 4 screws (IP68)
- The housing can be fitted with a transparent polycarbonate cover.
- Molded hinge with stainless steel pin.
- Integrated mounting brackets.
- Service temperatures between 125 ° C and -40 ° C (257 ° F to -40 ° F). Check the equipment operating temperature which may be lower.



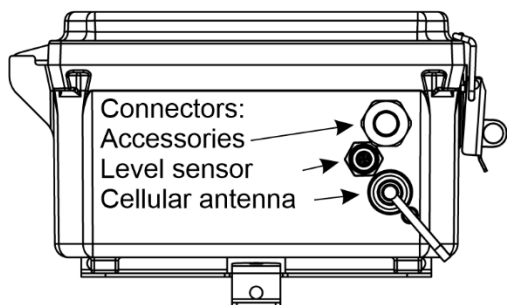
Warning

This enclosure is IP68 with the cover configuration with screws only.

Allow 2.5 cm (1 inch) above the handle of the housing to remove it from its support.

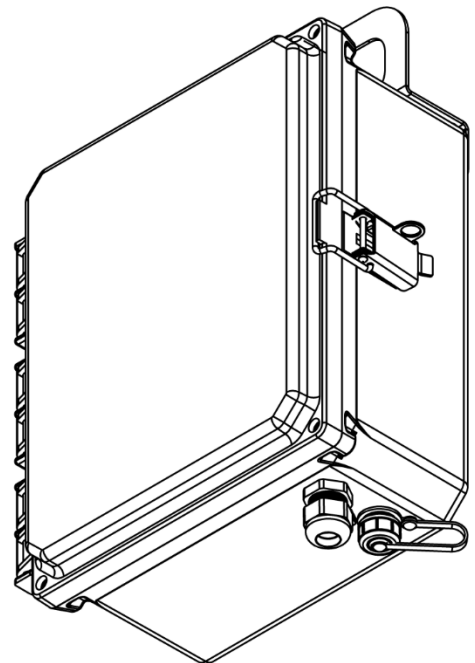


Allow 15 cm (6 inches) under the box to connect the antenna, the level probe and other accessories.



Allow 5 cm (2 inches) to the right of the case if the latch closure is used.

Allow 2.5 cm (1 inch) to the left of the case for opening door.



Images are representative only. The final product may differ.