

Lithium battery pack

MLBATL14V-36AH

Specifications

- Nominal voltage: 14V
- Nominal capacity: 28Ah
- Weight: 900g
- Operating temperature range: -55 ~ +85°C

Key Characteristics

- Reverse polarity protection
- Resettable fuse protection
- High and stable operating voltage
- Low self-discharge rate (less than 1% after 1 year of storage at + 20°C)
- Bobbin type
- Non-flammable inorganic electrolyte
- Hermetic glass-to-metal sealing
- UL recognized (file number MH18384)
- RoHS Compliance

Dimensions

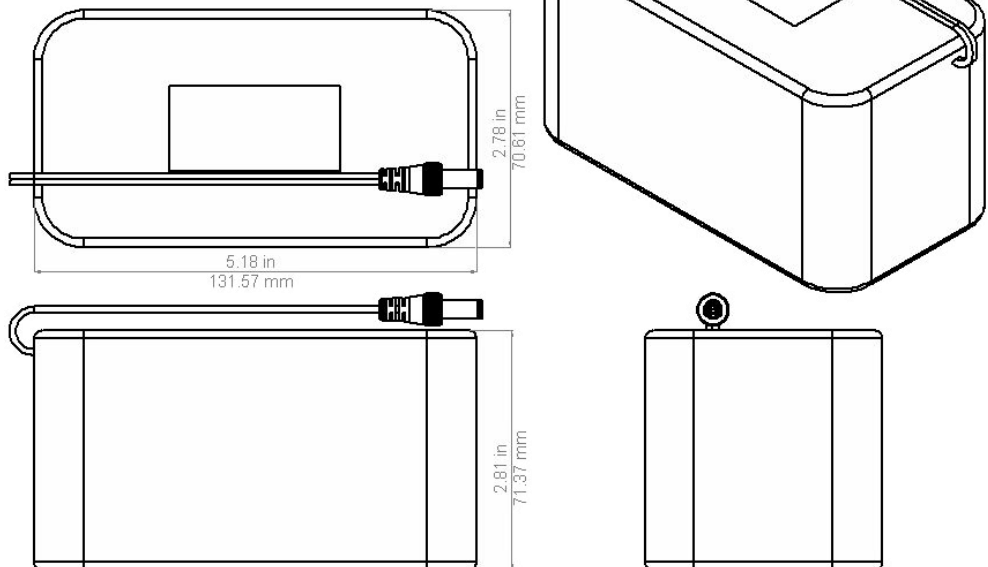
72 mm x 72 mm x 132 mm (2.8" x 2.8" x 5.2")

Cable length: 120 mm (4.7")

Connector: 2.1 mm x 5.5 mm round male plug.

Warning

Fire, explosion and severe burn hazard. Do not recharge, crush, disassemble, heat, above 100°C, incinerate, short circuit or expose contents to water. Keep battery out of reach of children and in original package until ready to use. Dispose of used batteries promptly.



Note

Any information given here is for reference only. Information is also dependent on actual conditions of use and does not guarantee future performance.