

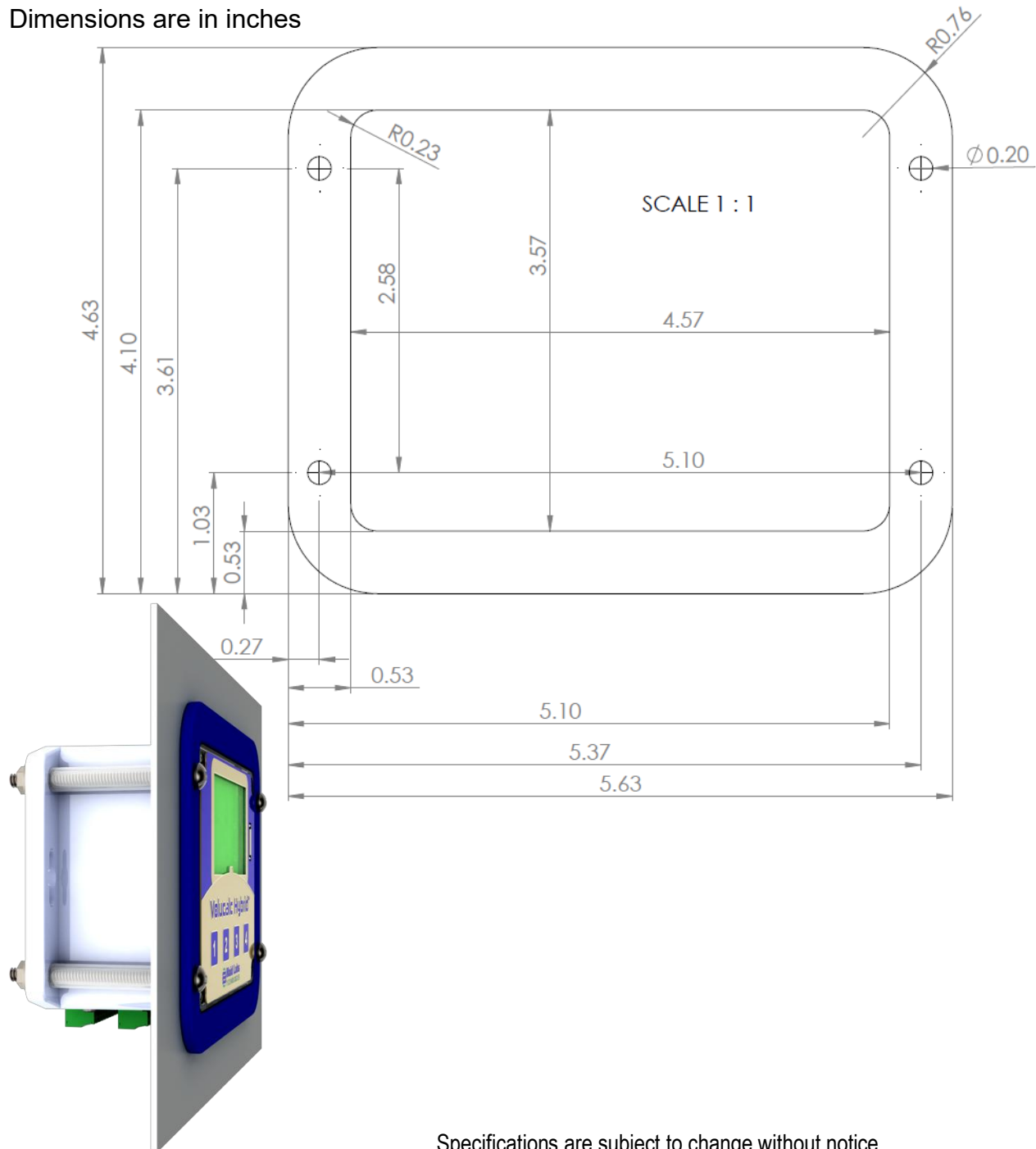
# Support bracket

# MLSUPPANEL

Bracket and accessories to install a Volucalc or FlowMaid flush to the front of a panel. Includes one bezel, 4 spacers, nuts and screws.

Instrument and pannel not included.

Dimensions are in inches



Specifications are subject to change without notice.